



THERMOSTATIC AIR VENT FOR STEAM

MODEL LA13L BRASS

COMPACT AIR VENT FOR STEAM WITH FAIL-OPEN FEATURE

Features

Balanced pressure thermostatic air vent with fail-open feature for steam.

1. Vents air automatically until close to steam temperature.
2. Compact yet with high capacity.
3. Reacts immediately to changes in operating conditions.
4. Easy to maintain and easy to clean.
5. Hardened stainless steel valve seat.
6. Tight shut-off.

Pressure Equipment Directive (PED)

Classification according to PED 2014/68/EU, fluid group 2

Size	Category	CE marking
DN 15 to DN 25	—*	Art. 4, Sec. 3 (sound engineering practice), CE marking not allowed

* Manufactured in accordance with sound engineering practice



Specifications

Model	LA13L	
Connection	Screwed	
Size	1/2", 3/4"	
Maximum Operating Pressure (barg)	PMO	13
Minimum Operating Pressure (barg)		0.1
Maximum Operating Temperature (°C)	TMO	200
Subcooling of X-Element Fill (°C)		up to 22
Type of X-Element		C22
Applicable Fluid*		Steam

* Do not use for toxic, flammable or otherwise hazardous fluids.

1 bar = 0.1 MPa

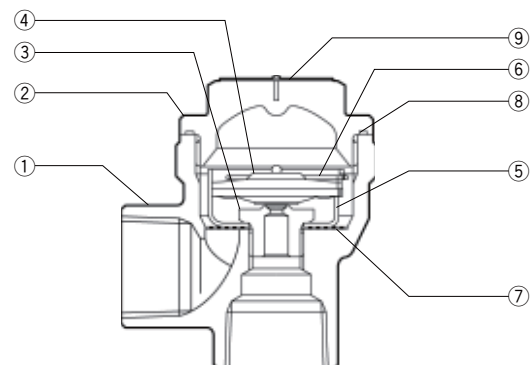
PRESSURE SHELL DESIGN CONDITIONS (NOT OPERATING CONDITIONS): Maximum Allowable Pressure (barg) PMA: 16
Maximum Allowable Temperature (°C) TMA: 220



To avoid abnormal operation, accidents or serious injury, DO NOT use this product outside of the specification range. Local regulations may restrict the use of this product to below the conditions quoted.

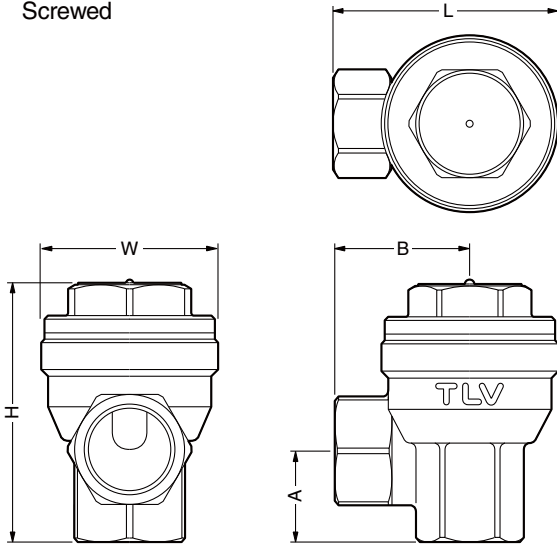
No.	Description	Material	DIN*	ASTM/AISI*
①	Body	Brass C3771	2.0380	B124 C37700
②	Cover	Brass C3771	2.0380	B124 C37700
③	Valve Seat	Stainless Steel SUS420F	1.4028	AISI420F
④	X-Element	Stainless Steel	—	—
⑤	X-Element Guide	Stainless Steel SUS304	1.4301	AISI304
⑥	Spring Clip	Stainless Steel SUS304	1.4301	AISI304
⑦	Screen	Stainless Steel SUS304	1.4301	AISI304
⑧	Cover Gasket	Fluorine Resin PTFE	PTFE	PTFE
⑨	Nameplate	Stainless Steel SUS304	1.4301	AISI304

* Equivalent materials



Dimensions

● **LA13L**
Screwed

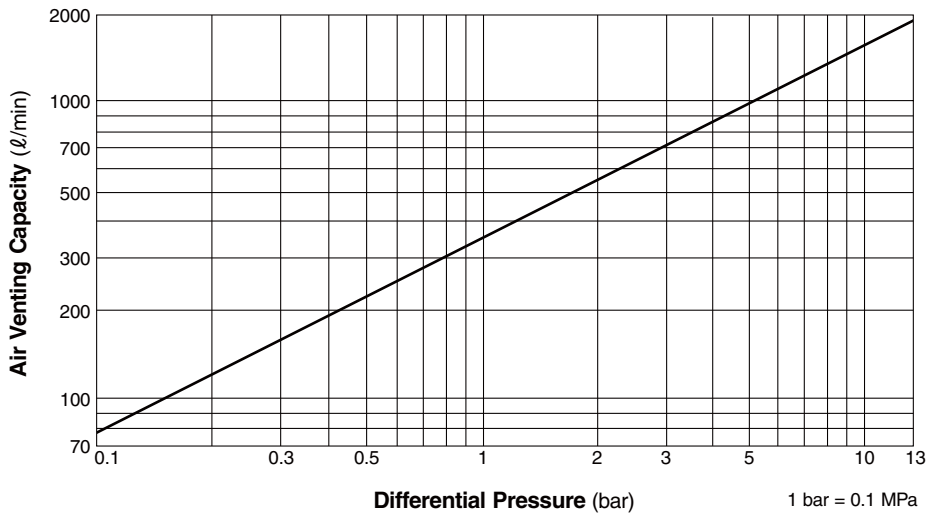


LA13L Screwed* (mm)

Size	L	H	φW	A	B	Weight (kg)
1/2"	64	70	52	20	38	0.5
3/4"	66	77		27	40	

* BSP DIN 2999, other standards available

Air Venting Capacity



1. Differential Pressure is the difference between the inlet and outlet pressure of the air vent.
2. Capacities are equivalent capacities of air at 20 °C and atmospheric pressure.

Manufacturer

TLV CO., LTD.
Kakogawa, Japan

is approved by LRQA Ltd. to ISO 9001/14001

ISO 9001
ISO 14001

