



# THERMOSTATIC AIR VENT FOR STEAM

## MODEL LA21

### ALL STAINLESS STEEL THERMOSTATIC AIR VENT

#### Features

Compact all stainless steel air vent with fail-open feature for steam, for vertical installation.

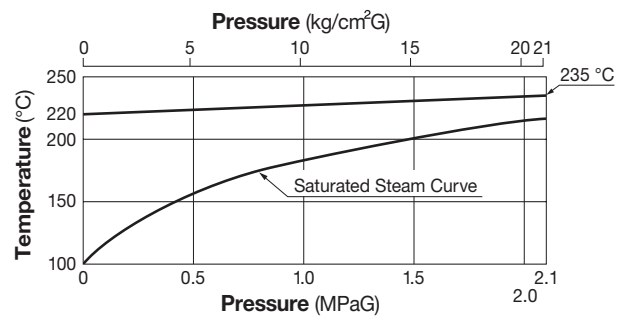
1. Vents air automatically until close-to-steam temperature.
2. Compact yet with high capacity.
3. Reacts immediately to changes in operating conditions.
4. Withstands superheat and water hammer.
5. Easy to maintain and easy to clean.
6. Hardened stainless steel valve seat.
7. Tight shut-off.



#### Specifications

Model	LA21
Connection	Screwed
Size (mm)	10, 15
Max. Operating Press. (MPaG) PMO	2.1
Min. Operating Press. (MPaG)	0.01
Max. Operating Temp. (°C) TMO	see graph at right
Subcooling of X-element Fill (°C)	up to 22
Type of X-element	C22
Applicable Fluid*	Steam

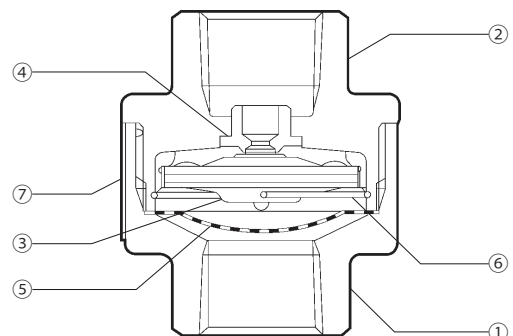
\* Do not use for toxic, flammable or otherwise hazardous fluids.  
 PRESSURE SHELL DESIGN CONDITIONS (**NOT** OPERATING CONDITIONS):  
 Maximum Allowable Pressure (MPaG) PMA: 6.3  
 Maximum Allowable Temperature (°C) TMA: 425



To avoid abnormal operation, accidents or serious injury, DO NOT use this product outside of the specification range. Local regulations may restrict the use of this product to below the conditions quoted.

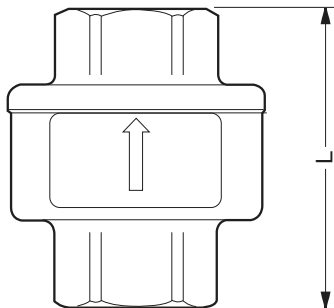
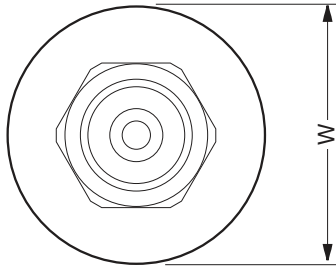
No.	Description	Material	JIS	ASTM/AISI*
①	Body	Cast Stainless Steel	—	A351 Gr.CF8
②	Cover	Cast Stainless Steel	—	A351 Gr.CF8
③	X-element	Stainless Steel	—	—
④	Valve Seat	Stainless Steel	SUS630	AISI630
⑤	Screen	Stainless Steel	SUS304	AISI304
⑥	Spring Clip	Stainless Steel	SUS304	AISI304
⑦	Nameplate	Stainless Steel	SUS304	AISI304

\* Equivalent



**Dimensions**

● **LA21** Screwed

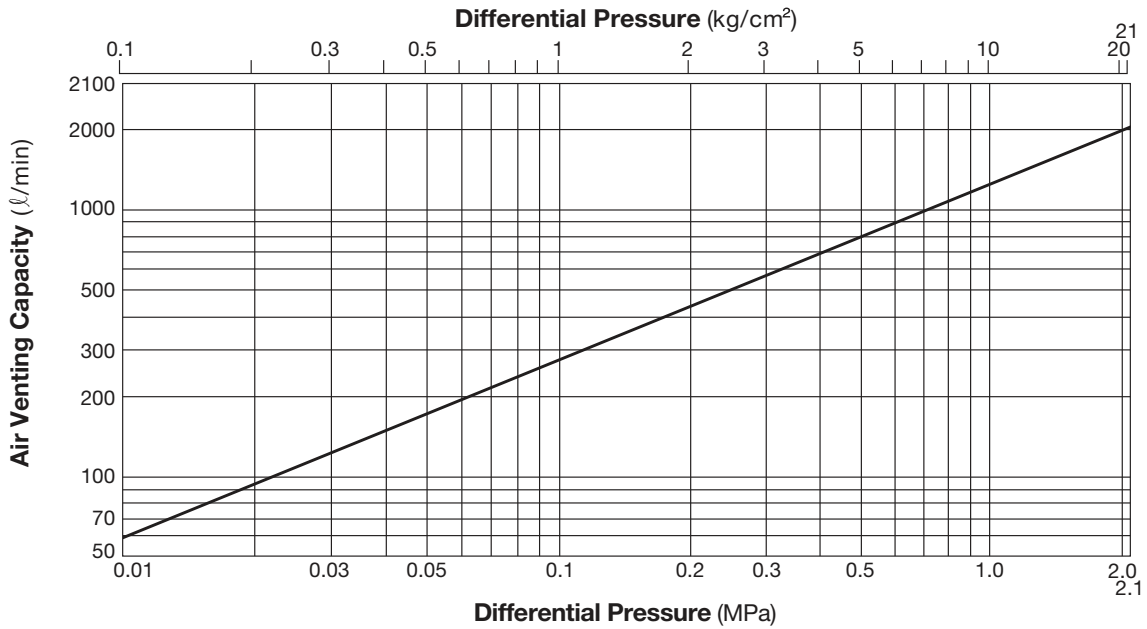


**LA21** Screwed\* (mm)

Size	L	φ W	Weight (kg)
10	55	47	0.4
15			

\* Rc(PT), other standards available

**Air Venting Capacity**



1. Differential pressure is the difference between the inlet and outlet pressures of the air vent.
2. Capacities are equivalent capacities of air at 20 °C under atmospheric pressure.

Manufacturer  
**TLV** CO., LTD.  
 Kakogawa, Japan  
 is approved by LRQA Ltd. to ISO 9001/14001

