



# TRAP STATION

## MODEL V1P/V2P

### FORGED TRAP STATION EQUIPPED WITH BUILT-IN PISTON VALVE

#### Features

**Compact valve and steam trap station for use with condensate manifolds or applications with limited installation space.**

1. Rugged, compact and versatile design minimizes installation area and easily adapts to plant requirements.
2. Employs a piston valve with upper and lower valve rings made of alternating layers of stainless steel and graphite that provide a tight-sealing soft seat.
3. The synergy between the wide stainless steel piston sealing surface and soft valve seat of the piston valve ensures reliable long term sealing.
4. **QuickTrap** 2-bolt universal connection permits trap unit replacement in minutes without disturbing piping.
5. Built-in screen with large surface area ensures trouble-free operation.
6. Includes built-in BD2 blowdown and/or test valves on some models for station blowdown and trap testing.



#### Specifications

Model	V1P-RL	V1P-RB	V1P-LB	V1P-RW	V1P-LW	V1P-RV	V1P-LV	V2P-RL	V2P-RB	V2P-LB
Connection	Screwed, Socket Welded									
Size (mm)	15, 20									
Built-in Valve Location	1 valve at trap inlet							1 valve at trap inlet, 1 valve at trap outlet		
Max. Operating Pressure (MPaG) PMO	5.0*									
Max. Operating Temperature (°C) TMO	425*									

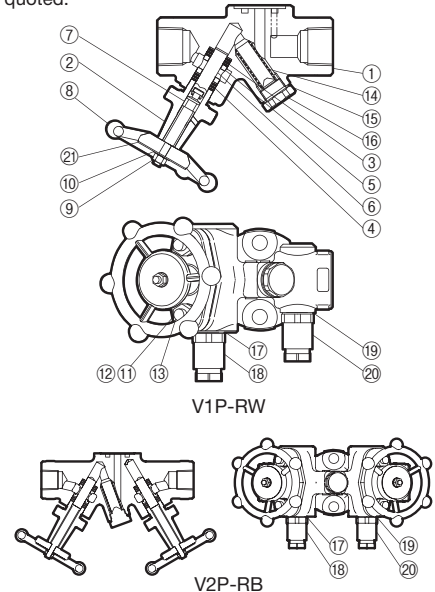
PRESSURE SHELL DESIGN CONDITIONS (NOT OPERATING CONDITIONS): Maximum Allowable Pressure (MPaG) PMA: 5.0\*      1 MPa = 10.197 kg/cm<sup>2</sup>  
 Maximum Allowable Temperature (°C) TMA: 425\*

\* For trap station only; further restricted by mounted trap unit.



To avoid abnormal operation, accidents or serious injury, DO NOT use this product outside of the specification range. Local regulations may restrict the use of this product to below the conditions quoted.

No.	Description	Material	JIS	ASTM/AISI
①	Body	Carbon Steel	—	A105
		Stainless Steel	—	A182 F304
②	Valve Bonnet	Carbon Steel	—	A105
③	Lower Valve Ring	Graphite/Stainless Steel	—	—
④	Upper Valve Ring	Graphite/Stainless Steel	—	—
⑤	Lantern Bushing	Stainless Steel	—	A182 F316
⑥	Piston	Stainless Steel	—	A182 F316
⑦	Spindle	Stainless Steel	—	A479 410
⑧	Handwheel	Carbon Steel	—	A105
⑨	Handwheel Nut	Carbon Steel	—	—
⑩	Washer	Carbon Steel	—	—
⑪	Bonnet Nut	Carbon Steel	—	—
⑫	Washer	Carbon Steel	—	—
⑬	Bonnet Bolt	Alloy Steel	—	A193 Gr.B7
⑭	Screen <sup>③</sup> inside/outside	Stainless Steel	SUS304/430	AISI304/430 <sup>①</sup>
⑮	Screen Holder	Carbon Steel Body	SUYP	AISI1010 <sup>①</sup>
	Gasket <sup>③</sup>	Stain. Steel Body	SUS316L	AISI316L <sup>①</sup>
⑯	Screen Holder	Carbon Steel Body	—	A105
		Stain. Steel Body	SUS303	AISI303 <sup>①</sup>
⑰	Blowdown Valve Gasket <sup>②,③</sup>	Carbon Steel Body	SUYP	AISI1010 <sup>①</sup>
		Stain. Steel Body	SUS316L	AISI316L <sup>①</sup>
⑱	Blowdown Valve (BD2) <sup>②</sup>	Cast Stainless Steel	—	A351 Gr.CF8
⑲	Test Valve Gasket <sup>②,③</sup>	Carbon Steel Body	SUYP	AISI1010 <sup>①</sup>
		Stain. Steel Body	SUS316L	AISI316L <sup>①</sup>
⑳	Test Valve (BD2) <sup>②</sup>	Cast Stainless Steel	—	A351 Gr.CF8
㉑	Nameplate	Aluminum	—	—

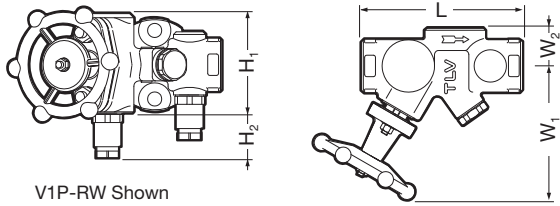


<sup>①</sup> Equivalent    <sup>②</sup> See next page for available models.

<sup>③</sup> Aside from these indicated, replacement parts are not normally supplied. Consult TLV if other parts are needed. Furthermore, the material for the gasket varies depending on the body material of the product. Include the body material of your product when ordering a replacement gasket.

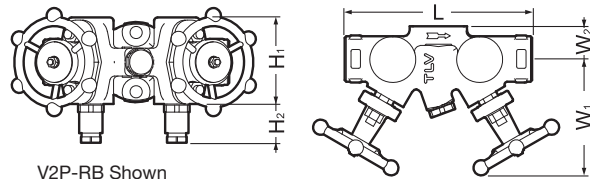
**Dimensions**

● **V1P Series** Screwed & Socket Welded



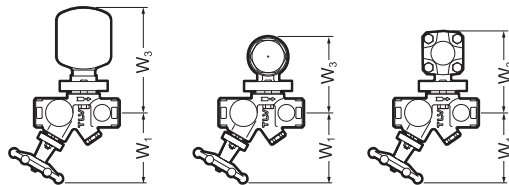
V1P-RW Shown

● **V2P Series** Screwed & Socket Welded



V2P-RB Shown

● **Mounted Steam Trap Units (QuickTrap)**



With: S3/S5/S5H

P46UC

L21/L32

**V1P Series** Screwed & Socket Welded (mm)

Size	L	H <sub>1</sub>	H <sub>2</sub>	W <sub>1</sub> *	W <sub>2</sub>	Weight** (kg)
15	120	74	33	120	28	2.4
20						

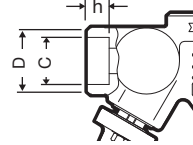
Screwed connections are Rc(PT) or NPT; other standards available  
 \* At full-open position \*\* With blowdown and test valves

**V2P Series** Screwed & Socket Welded (mm)

Size	L	H <sub>1</sub>	H <sub>2</sub>	W <sub>1</sub> *	W <sub>2</sub>	Weight** (kg)
15	160	74	33	120	28	3.8
20						

Screwed connections are Rc(PT) or NPT; other standards available  
 \* At full-open position \*\* With blowdown and test valves

**Socket Welded Connections** (mm)



Size	φ D	φ C		h
		JIS	ASME	
15	36	22.2	21.8	13
20		27.7	27.2	

\* JIS or ASME B16.11-2005, other standards available

Model	W <sub>1</sub> *	W <sub>3</sub>	Weight (kg)		
			With V1P**	With V2P**	
S3	120	143	3.4	4.8	
S5		175	3.8	5.2	
S5H		178	3.9	5.3	
P46UC		110		3.4	4.8
L21/L32				3.5	4.9

\*At full-open position

\*\* Combined weight of trap station with mounted trap unit

**Valve Series**

Model	V1P-RL*	V1P-RB	V1P-LB	V1P-RW	V1P-LW	V1P-RV	V1P-LV	V2P-RL*	V2P-RB	V2P-LB
Station Picture										
Flow Diagram										
Flow Direction	Right or Left	Right	Left	Right	Left	Right	Left	Right or Left	Right	Left
Inlet Valve	✓	✓	✓	✓	✓	✓	✓	✓	✓	✓
Outlet Valve	—	—	—	—	—	—	—	✓	✓	✓
Blowdown Valve	—	✓	✓	✓	✓	—	—	—	✓	✓
Test Valve	—	—	—	✓	✓	✓	✓	—	✓	✓
Available	S3 / S5 / S5H									
Trap Units**	P46UC									
	L21 / L32									

● **Steam Trap Units Specifications\*\***

Free Float Steam Trap S3 / S5 / S5H		Thermodynamic Steam Trap P46UC		Thermostatic Steam Trap L21 / L32	
PMO: 2.1 / 3.2 / 4.6 MPaG		PMO: 4.6 MPaG		PMO: 2.1 / 3.2 MPaG	
TMO: 400 / 400 / 425 °C		TMO: 425 °C		TMO: 235 / 240 °C	
Max. Discharge Capacity*** 215 / 670 / 245 kg/h		Max. Discharge Capacity*** 740 kg/h		Max. Discharge Capacity*** 760 / 530 kg/h	

\* Can be used for flow in either direction

\*\* For more information, see the **QuickTrap** specifications data sheet for the steam trap employing the desired trap unit (trap unit - **QuickTrap** data sheet):  
 S3 - FS3; S5 - FS5; S5H - FS5; P46UC - FP46UC; L21 - FL21/FL32; L32 - FL21/FL32;

\*\*\* Capacities shown here will vary depending on orifice numbers, type of X-element and/or pressure differential.

Manufacturer

ISO 9001/ISO 14001

**TLV**® CO., LTD.

Kakogawa, Japan

is approved by LRQA Ltd. to ISO 9001/14001

